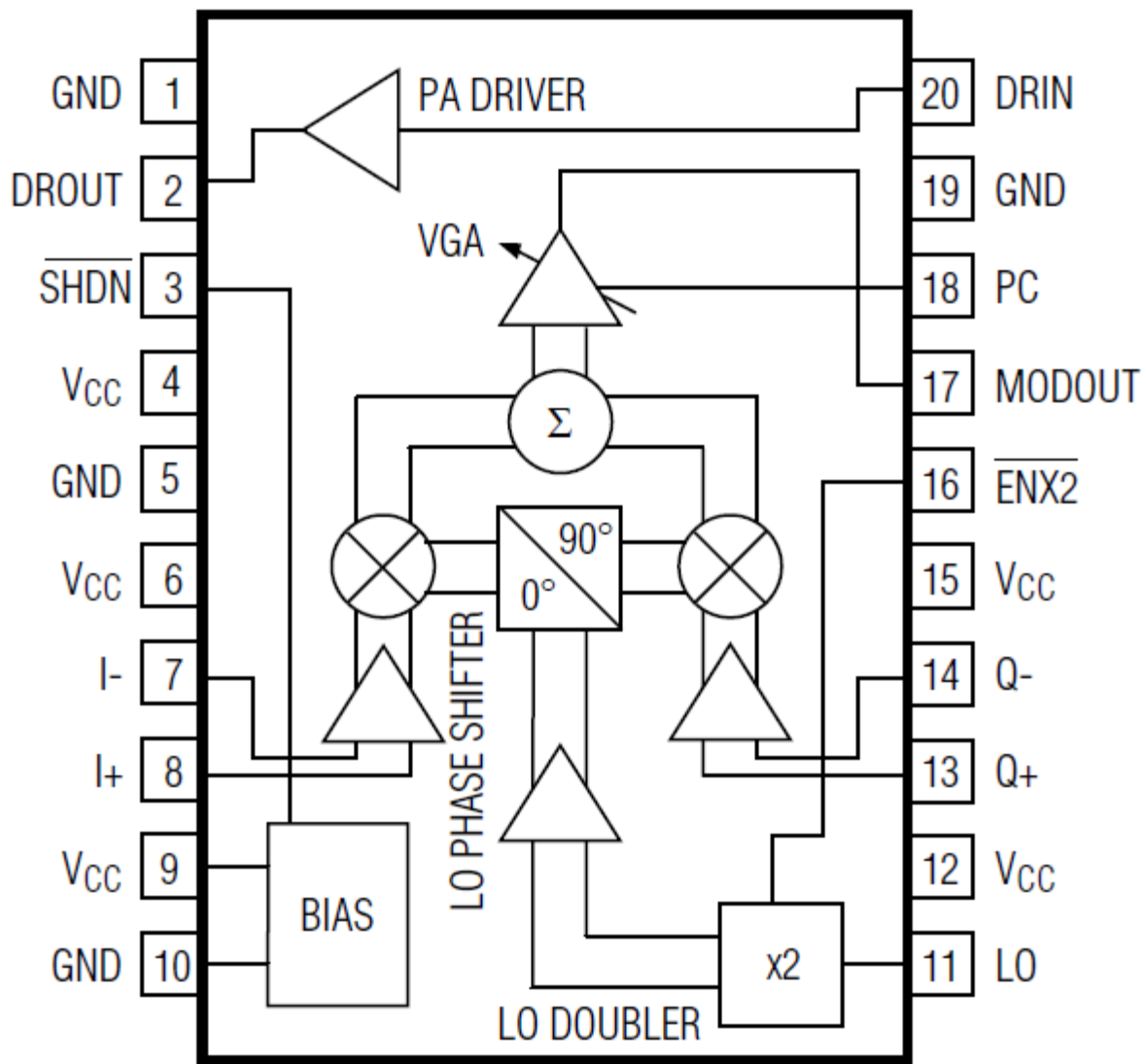
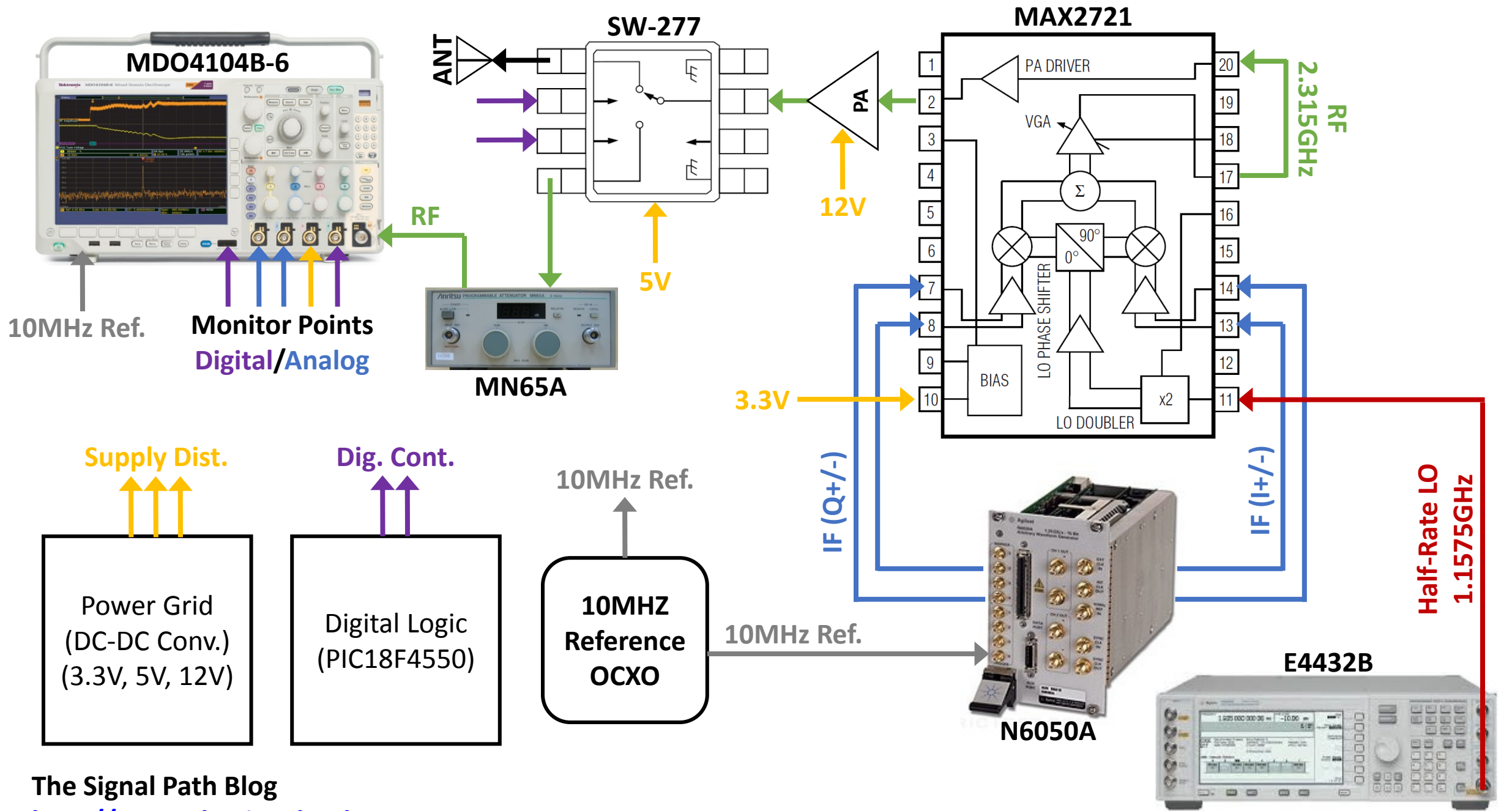


**MAXIM**

MAX2720/MAX2721





# TX Prototype Issues

- Check LO leakage and image rejection at TX.
- Intermittent spurious tones present at RF output.
- Battery voltage dependent spurious tones present at RF output.
- Antenna diversity timing problems. (Detected at RX)
  - Check RF switch isolation performance.
- Poor EVM performance.
  - Constellation rotation and compression.